



CAT Part Number: **CLM-00006**

Description: Tunnel Climbing Wall

Materials:

Frame: Color **tan** roto molded plastic.

Hardware: 318 Stainless Steel Truss-Head bolts.

Dimensions:

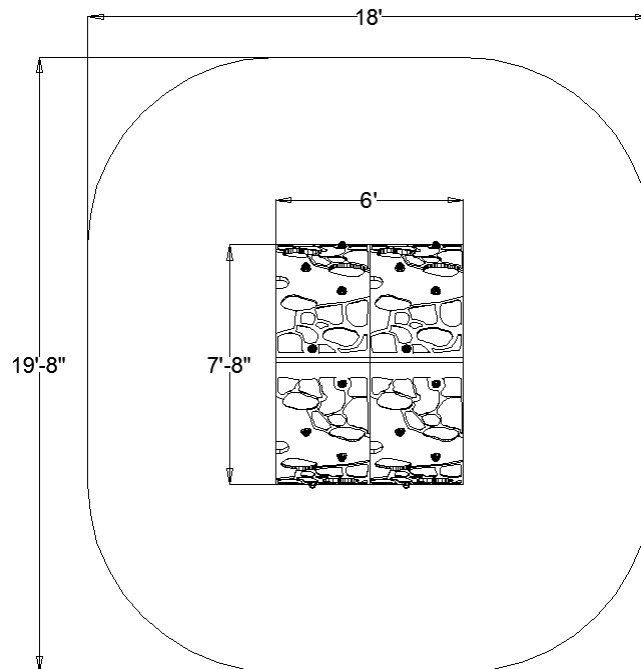
Overall Height: 4'-0"

Approximate Square Feet: 322.85

Actual Size: 7'-8" x 6'-0"

Actual Use Zone: 19'-8" x 18'-0"

Assembled Weight: 325 lbs



Fall Zone: Overhead fall zone views a for planning purposes only. Please follow guidelines as specified by the CPSC and ASTM F1487

