



CAT Part Number: **PAN-00001**

Description: **School House**

Materials:

**Frame:** Color **Blue** powder coated,  
7 GA steel.

3/4" polyethylene

**Hardware:** 318 Stainless Steel  
Truss-Head bolts and  
lock nuts

**Dimensions:**

**Overall Height:** 72" High

**Table Height:** 24" High

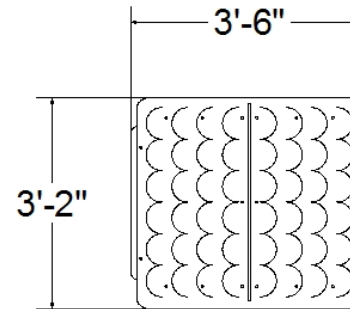
**Approximate Square Feet:** 11.08

**Actual Size:** 3'-6" x 3'-2"

**Actual Use Zone:** Not Required

**Assembled Weight:** 220 lbs

**Fall Zone:** Overhead fall zone views are  
for planning purposes only. Please follow  
guidelines as specified by the CPSC and  
ASTM F1487



SCHOOL HOUSE

CAT# PAN-00001

