



CAT Part Number: **PAN-00001-G**

Description: **School House**

Materials:

Frame: Color **Green** powder coated,
7 GA steel.

3/4" polyethylene

Hardware: 318 Stainless Steel
Truss-Head bolts and
lock nuts

Dimensions:

Overall Height: 72" High

Table Height: 24" High

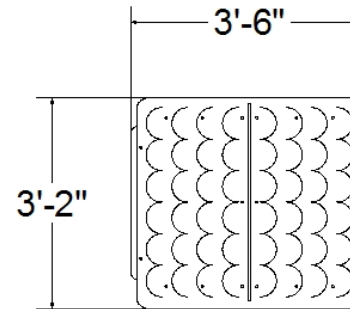
Approximate Square Feet: 11.08

Actual Size: 3'-6" x 3'-2"

Actual Use Zone: Not Required

Assembled Weight: 220 lbs

Fall Zone: Overhead fall zone views are
for planning purposes only. Please follow
guidelines as specified by the CPSC and
ASTM F1487



SCHOOL HOUSE

CAT# PAN-00001

